

Introduction

FS420 is a full range speaker with 4" of driver size complete with matching transformer, selectable power switch and mounting bracket.

Suitable for foreground soft music such as restaurants, shops and general sound reinforcement in meeting room, corridors, etc.



Available in White and Black

Technical Specifications

Speaker

Power rating	20W 100V line
Diameter	4" (100 mm)
Speaker type	2 way speaker with tweeter
Impedance	8 Ohm
Freq response @ 1kHz +/- 3dB	100 - 18 kHz
SPL @ 1W / m (+/-3dB) 1 KHz	89 dB

Transformer

Tapping (100V line)	1.25 / 2.5 / 5 / 10 / 20W
Primary impedance (Ohm)	8K / 4K / 2K / 1K/ 500 / 8
Secondary impedance (Ohm)	8

Physical

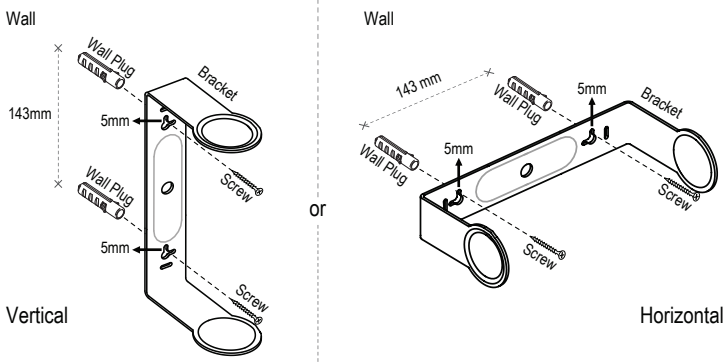
Grille / enclosure	ABS enclosure with metal grille
Overall size w bracket (WxHxD)	160 x 225 x 165 mm
Weight	1.95 kg
Colour	White and Black

Packing Information

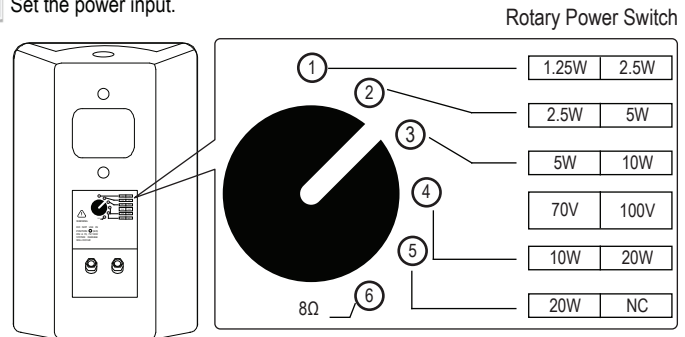
Carton box dimensions	355 (L) x 340 (W) x 260 (H) mm
Weight	8.70 kg
Packing quantity	4 Uts

Installation Guide

1 Install wall mount bracket to wall.



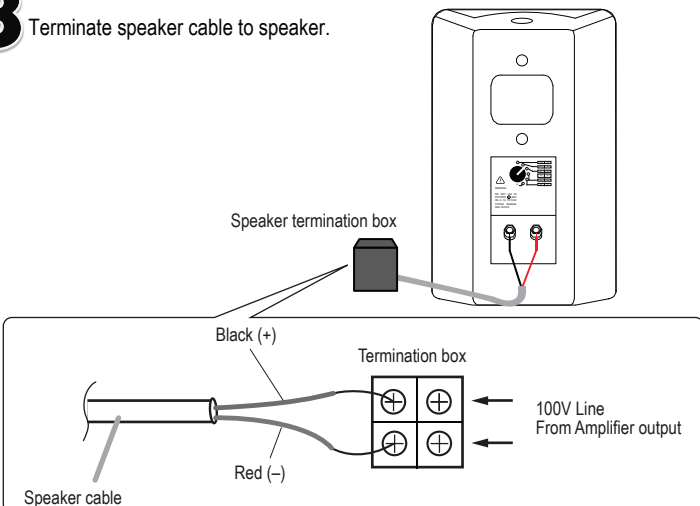
2 Set the power input.



Before install the speaker, adjust the power rating of the unit, to suit the site requirement.

Turn the rotary switch (on the rear side of the speaker) to set it to the desired input impedance using a slotted screwdriver.

3 Terminate speaker cable to speaker.



4 Install speaker to the bracket.

