



Technical Specification

	CH720	CH730	CH740
Power rating	20W 100V	30W 100V	40W 100V
Speaker component	2 x 4"	3 x 4"	4 x 4"
Tapping (100V line)	10 / 20W	15 / 30W	20 / 40W
Primary impedance (Ohm)	1 K / 500	660 / 330	500 / 230
Secondary impedance (Ohm)	8		
Freq response (+/- 3dB)	85 ~ 15 KHz	80 ~ 15 KHz	75 ~ 15 KHz
SPL @ 1W / m (+/- 3dB) 1 KHz	91 dB	93 dB	95 dB
Grille / enclosure	Aluminum / metal grille		
Overall size (WxHxD) (mm)	145 x 400 x 100	145 x 495 x 100	145 x 605 x 100
Weight (kg)	3.2	3.7	4.6
Colour	Dark grey / front black grille		

Introduction

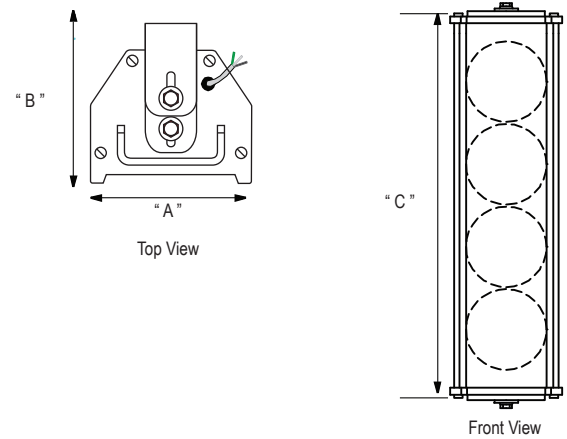
Built ruggedly with aluminum die cast housing and 20W 100V line with dual power tapping.

Suitable for classrooms, hyper markets, mosques, etc.

Features

- Ruggedly built from aluminum die cast
- Half and full power selection
- Easy to be installed on the wall

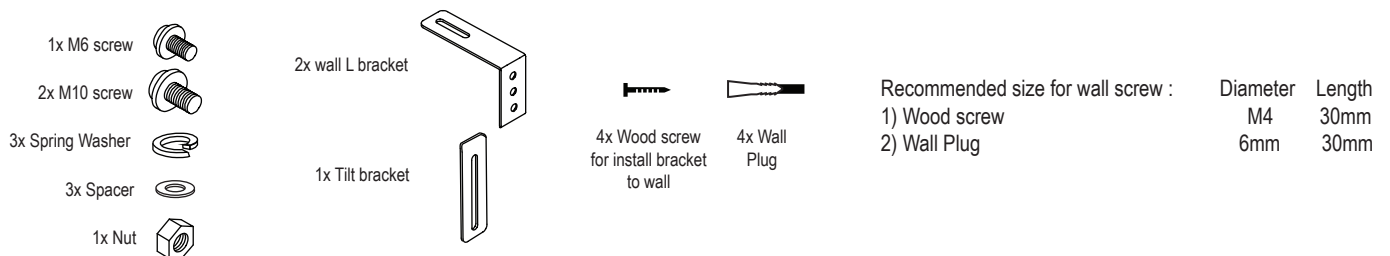
Physical Dimensions



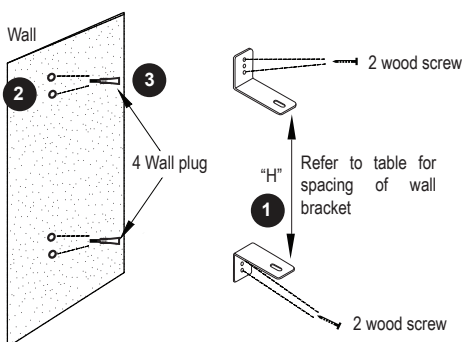
	CH720	CH730	CH740
"A"	145 mm		
"B"	100 mm		
"C"	400 mm	495 mm	605 mm

Guide to Installation

1 : Tools for installation



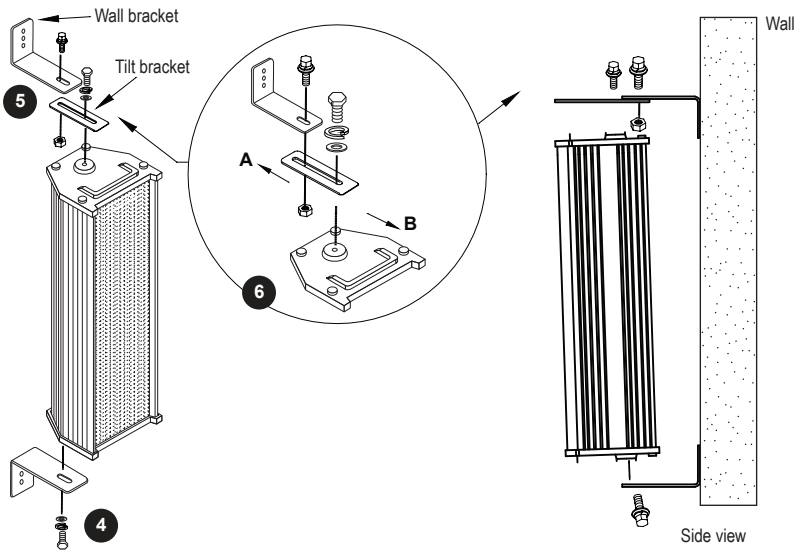
2 : Install mount bracket to wall



- 1) Measure the vertical spacing "H" required between wall brackets at the location of the speaker to be installed. Mark the holes for wall plug drillings.
- 2) Drill holes to the wall to insert the wall plugs. We recommend using 2 wall plugs for each bracket to ensure they are securely attached to the wall.
- 3) Install the wall plugs accordingly.

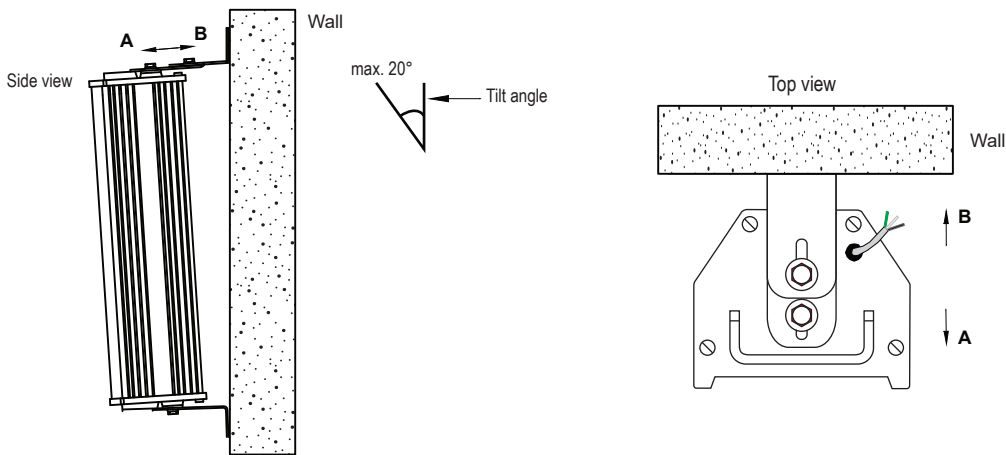
Guide to Installation (con't)

3 : Install speaker to bracket, with the screw provided

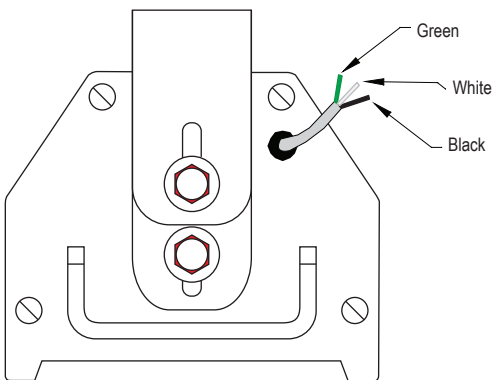


- 4) Screw the speaker with spring washer, and nut provided.
- 5) Assemble the speaker to the top bracket with tilt bracket.
- 6) The tilt angle of the speaker can be adjusted by positioning the final position A & B.

4 : Installation Completed. If the tilt angle adjustment required



5 : Cable termination



Connect the cable according to the power required, please refer to the table below:

	CH720	CH730	CH740
Green	10W	15W	20W
White	20W	30W	40W
Black	100V COM		

