

Introduction

Constructed using rounded aluminum flare of 20" (HS880) with multiple power selection. It is suitable for schools, mosques, fencing perimeters etc, which requires loud and clear broadcast. (IP 65 rated).

Its rounded aluminium flare provides more controlled audio dispersion and most suitable for areas such as car parks, wide corridors, parks etc.



Technical Specifications

Power rating	80W 100V line
Power tapping (W)	20 / 40 / 60 / 80
Primary Impedance :	1 125 Ohm
	2 160 Ohm
	3 250 Ohm
	4 500 Ohm
Secondary Impedance (Ohm)	16
Freq response@ 1KHz +/- 3dB	160 ~ 6 KHz
SPL (1 W/m @ 1 KHz)	110 dB
Flare material	Aluminium
Flare dimension	20" round
Overall size	335(H) x 504(D) mm
Driver enclosure	Aluminium Diecast
Weight	4 kg
Colour	Beige

Guide to Installations

1 : Unpacking and check contents.

Unpack the horn speaker from the box, the following items shall be available:

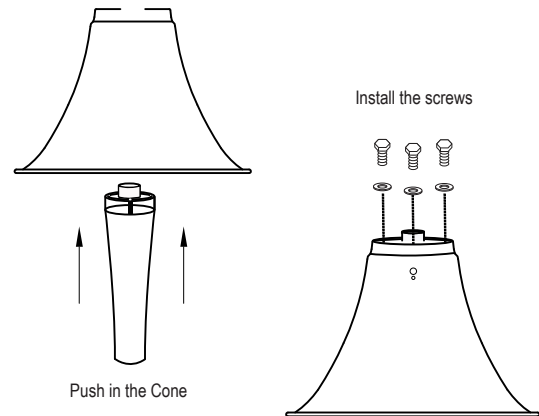
1. Horn flare
2. Speaker cone
3. Speaker driver
4. Speaker bracket
5. Screws for installation cone and bracket
6. Instruction manual

Recommended size for wall screw (not supplied):

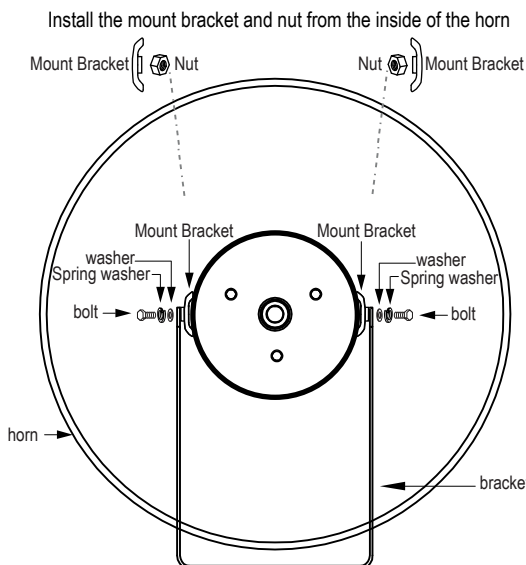
	Diameter	Length
1) Screw	M4/M5	30mm
2) Wall Plug	9mm	30mm

Dismantle the speaker bracket from the unit in preparation to install the speaker bracket to the wall.

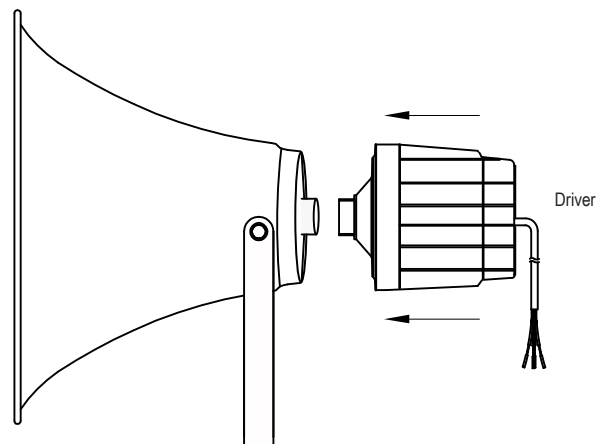
2 : Install the cone to horn.



3: Install the bracket to the horn flare assembly.

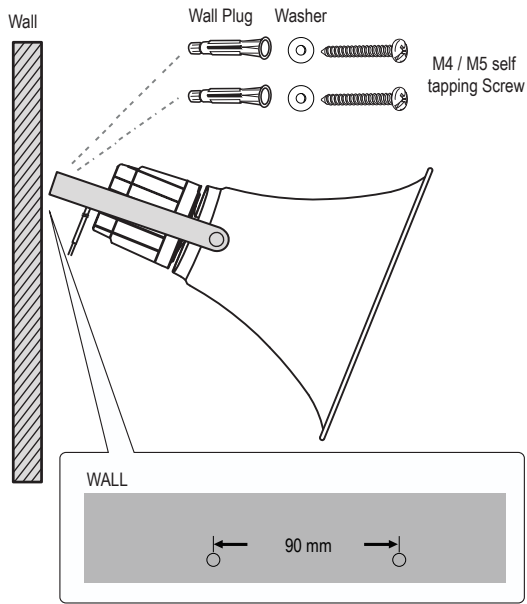


4 : Install the driver to horn.



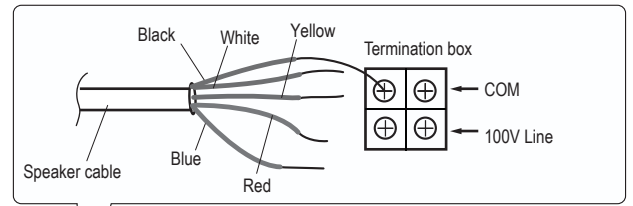
Guide to Installation (Con't)

5 : Install speaker to bracket on the wall.



6: Cable termination.

Speaker Termination Box



Connect the white, yellow, red or Blue wire to the terminal box, depend on the desired power ratings.

Black	COM
White	80W
Yellow	60W
Red	40W
Blue	20W

7 : Installation completed.

