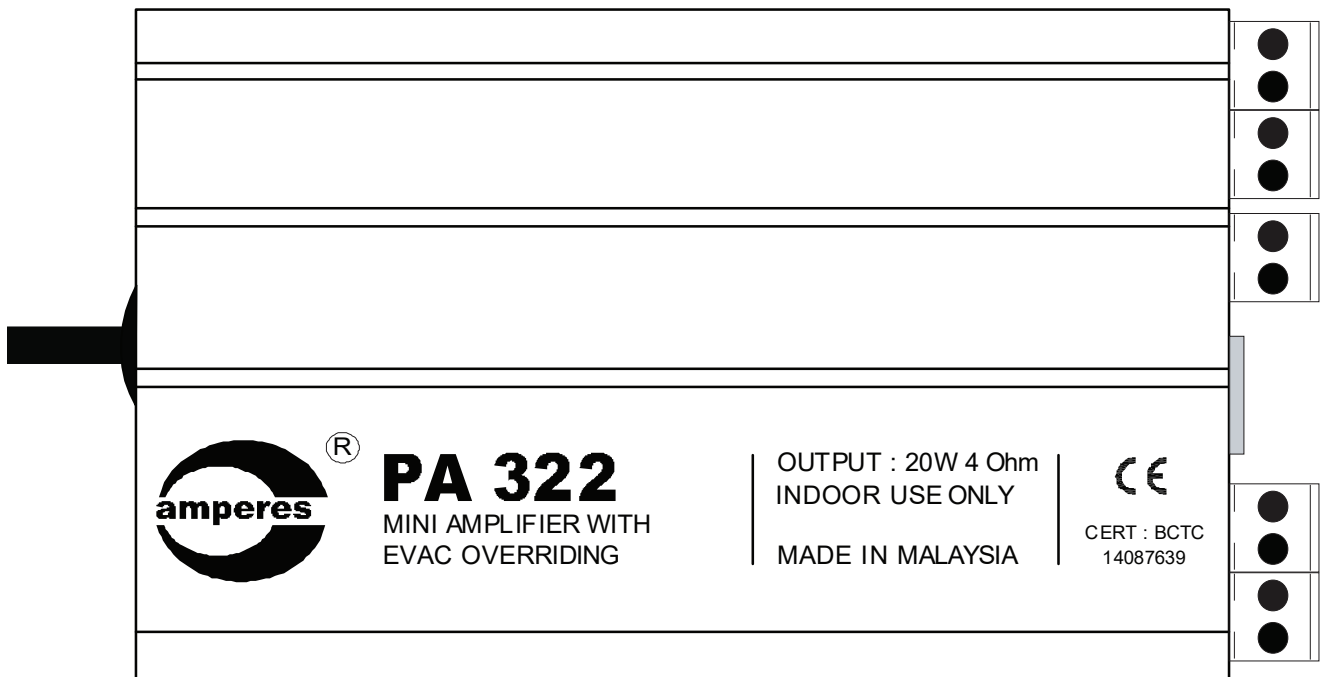




INSTRUCTION MANUAL

PA322 20W 4 Ohm Mini Amplifier



Thank you for choosing another quality product from Amperes Electronics.

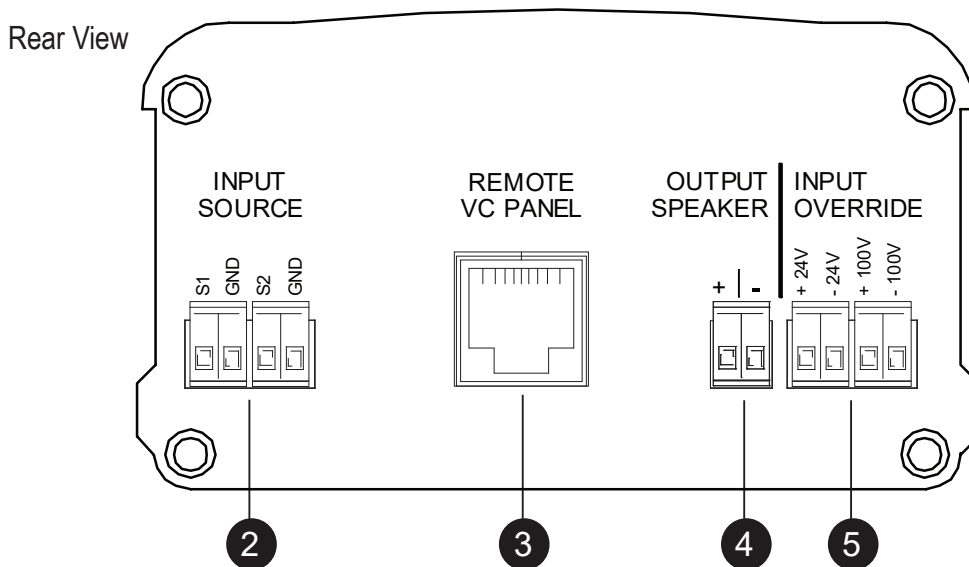
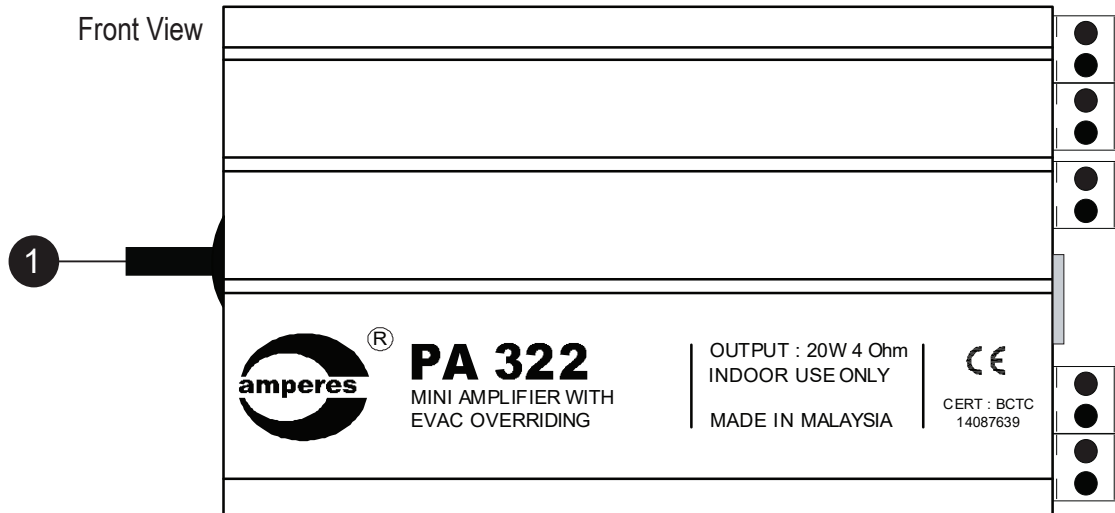
Amperes PA322 is a newly designed mini amplifier to cater for the needs of small area local audio broadcast such as hotel bathroom, classroom, or small lounge. It has built in PA overriding module, which the main PA would override local music for essential announcement to pass through.

It is powered by high efficiency 20W 4 Ohm Class D amplifier module with low heat dissipation and excellent sound reproduction. 2 input source are available and shall be connected to external volume controller VC7001 that comes with source selector button and smooth rotation volume controller.

With its compact built package, it can be easily installed and hidden, such as inside cabinet or above ceiling.



Parts Identification



1. AC INPUT

Mains AC power cord (Connect to AC 220 - 240VAC 50/60Hz).

2. INPUT SOURCE

Source from CD or MP3 Player audio output (line level) using mono mode, either L or R.

3. REMOTE VC PANEL

Connect to VC7001 volume control panel.

4. OUTPUT SPEAKER

Connect to 4 / 8 Ohm speaker.

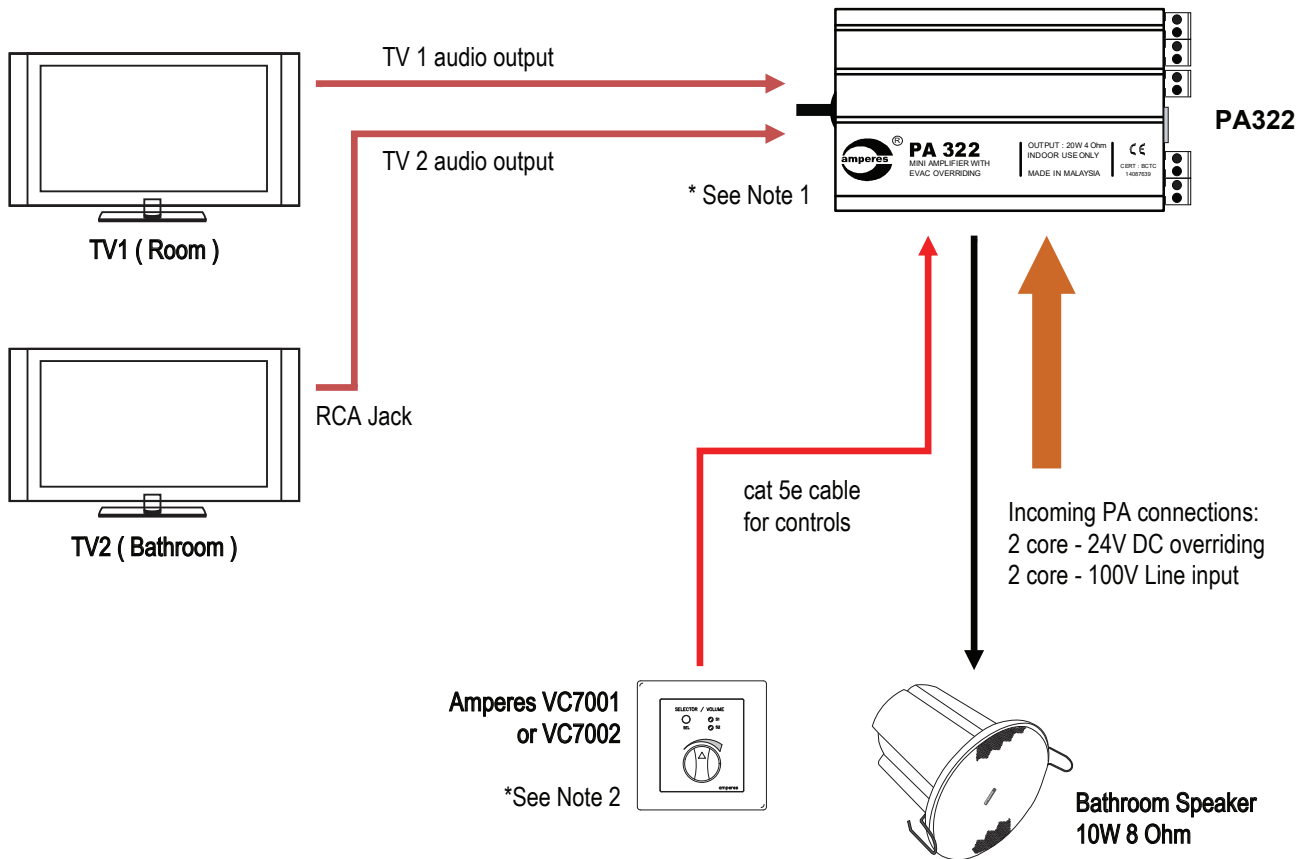
5. INPUT OVERRIDE

Apply 24V overriding signal here to override input source from S1 / S2 to an amplifier that is connected to +/- 100V port. (normally from central PA System)

General Schematic for Hotel Room Audio System

The diagram below is typical configuration of PA322 for application in hotel bathroom music. It may however not limited to this application and other installations may be:

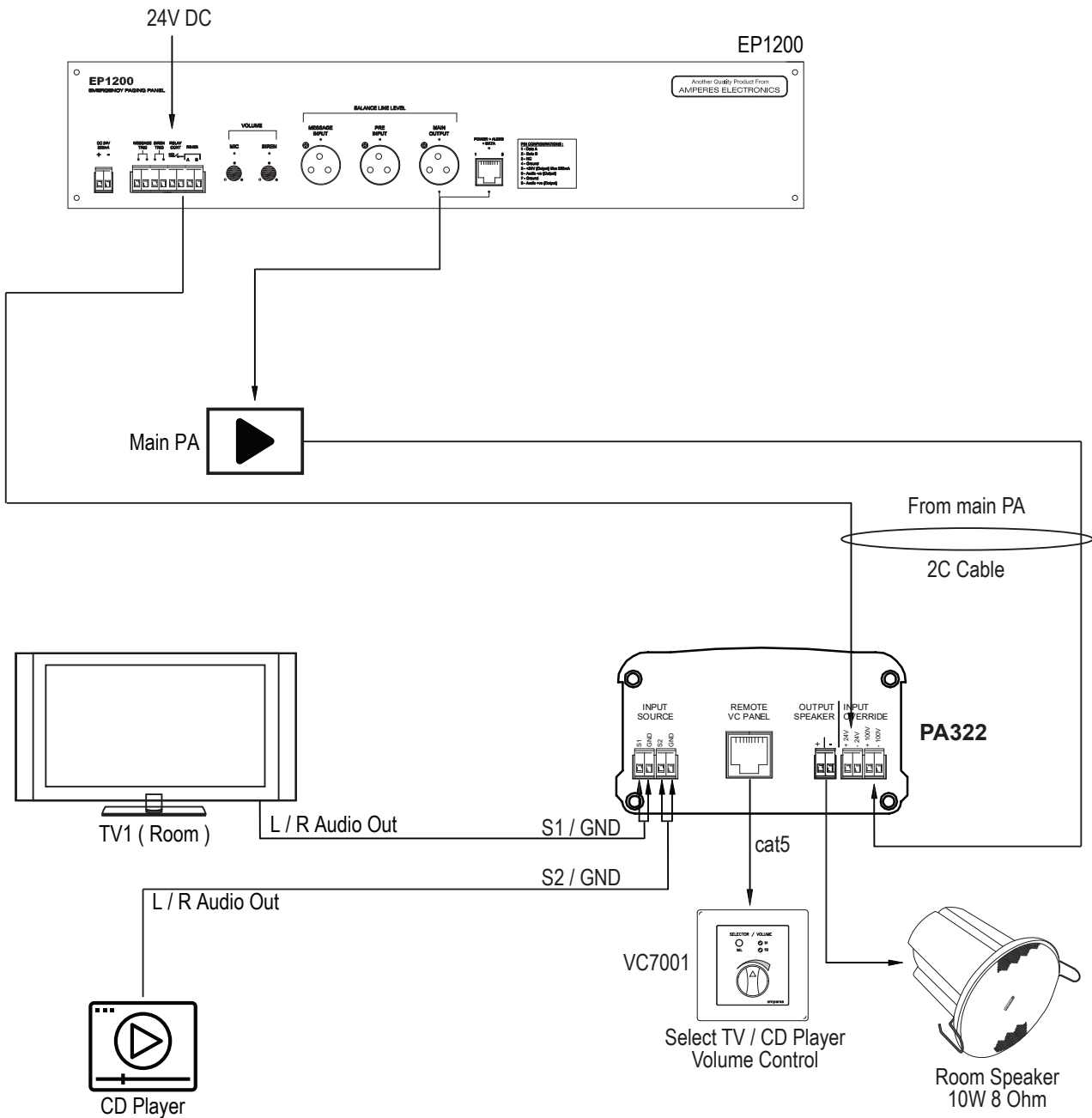
- Small room sound reinforcement such as dining hall, bedroom or meeting room
- Sales gallery or presentation room
- Sound amplication for ticketing or Queue system



Notes:

- 1) PA322 allows audio source from TV. By default, the output shall always connected to source 1. Use line unbalance output from TV (RCA jack) to connected to Phoenix connector at amplifier.
- 2) External volume controller can be VC7001 or VC7002 with difference being:
 - VC7001: With source select. Use when there are 2 input source to PA322. By default, source 1 shall always be selected.
 - VC7002: Without source select which only one source available.

Interface With Emergency Paging System

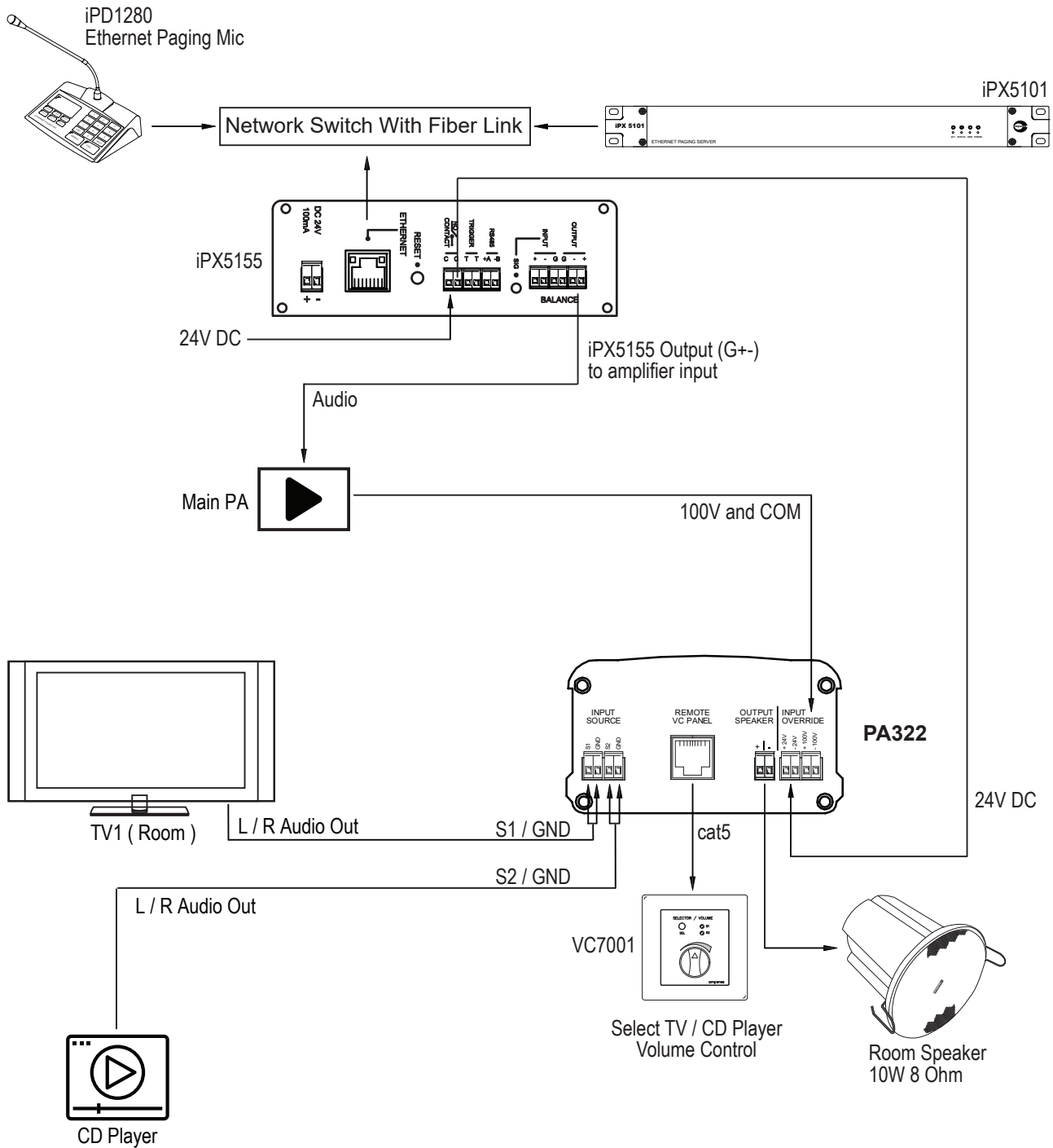


The above schematic illustrates a basic way of connecting PA322 in a emergency paging system.

Up to 2 audio sources (E.g: TV / CD Player) can be connected to a PA322. Selection of audio source and volume can be controlled by using VC7001.

For emergency overriding, 100V line and 24V DC can be taken from main rack. For this example, EP1200 will be used to control 24V DC emergency overriding to switch TV or CD Player to emergency paging.

Interface With IP Based System

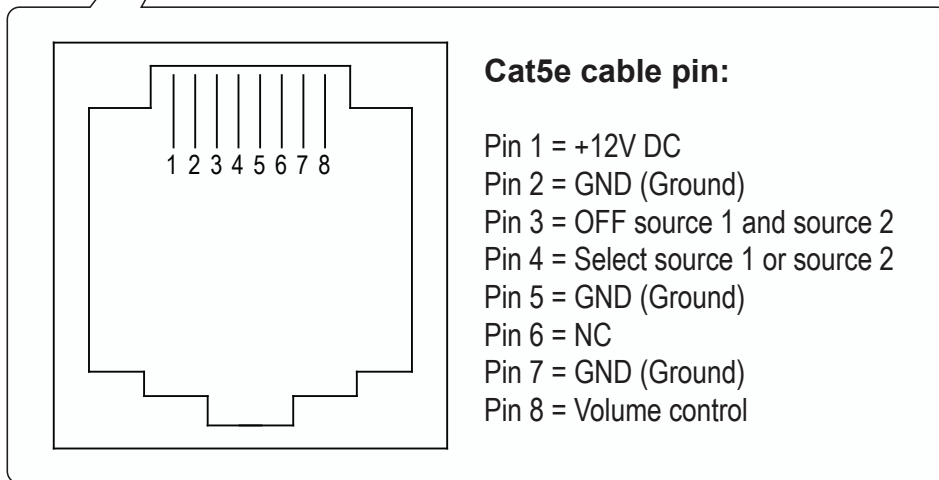
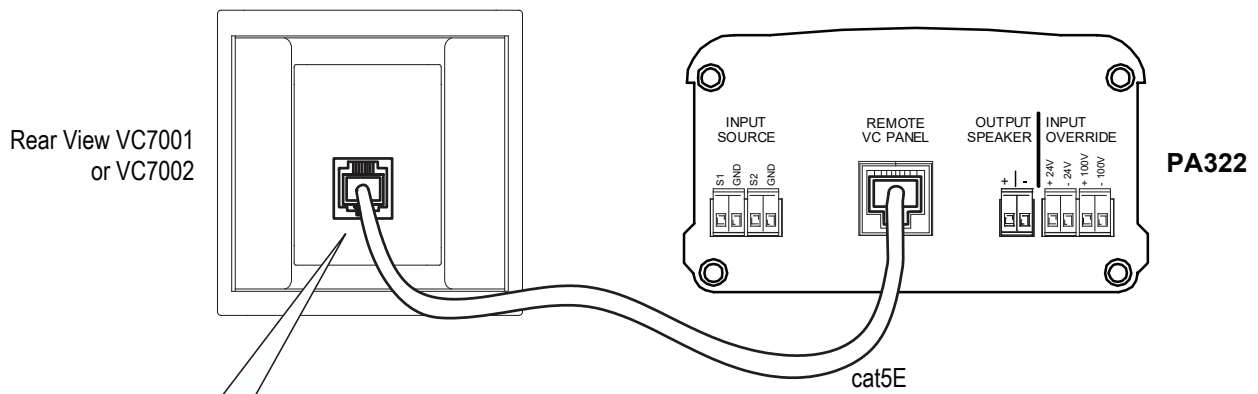


The above schematic illustrates a basic way of connecting PA322 to a IP based system.

Up to 2 audio sources (E.g: TV / CD Player) can be connected to a PA322. Selection of audio source and volume can be controlled by using VC7001.

iPX5155 relay contact port is linked to PA322 '24V DC port'. When iPD1280 activate paging, a '24V DC' overriding signal shall be sent from iPX5155 to PA322 and allow iPD1280 paging override TV & CD Player.

Connecting VC7001 / VC7002 To PA322



Summary Of Features

- ▶ 20W 4 Ohm output
- ▶ Built in 100V line audio overriding for emergency paging
- ▶ 2 audio source inputs with detachable phoenix connectors
- ▶ External volume controller for source select and volume adjustment (VC7001)
- ▶ High efficiency Class D amplifier
- ▶ Compact module

Technical Specification

Rating	20W 4 Ohm
Operating voltage	220 - 240V AC ; 50 / 60 Hz
Current consumption	Idle: 1.55W Full load: 5.5W
Input	2 x mono; unbalanced line 100V line audio 24V DC overriding
Input connector	Detachable phoenix
Input sensitivity	800 mV
Max input	1V rms
Input impedance	10K
Output	4 Ohm
Output connector	Detachable phoenix
Controls	External volume and source
Volume controller	Amperes VC7001
Frequency response	20 - 20 kHz
S/N ratio	> 70dB @ 1 kHz +/- 3dB
THD + Noise	0.24%
Protection	Thermal, short circuit, overload, AC fuse
Dimensions (WxHxD)	150 x 55 x 95 mm
Weight	850 g

Note:

The above specifications are correct at time of printing but subjected to changes without prior notice due to product improvements

Warranty Conditions

Only Amperes Electronics Service Centres are allowed to make warranty repairs : a list of Amperes Electronics Service Centres may be asked for by the purchaser or send directly to Amperes Electronics Sdn Bhd at 70 Jalan Industri PBP 3, Tmn Perindustrian Pusat Bandar Puchong, 47100, Puchong, Selangor, Malaysia or its authorized dealers. This warranty is not valid if repairs are performed by unauthorized personnel or service centres.

This warranty covers only repairs and replacement of defective parts ; cost and risks of transportation as well as removal and installation of the product from the main system are for the account of the purchaser. This warranty shall not extend to the replacement of the unit.

This warranty does not cover damages caused by misuse, neglect, accident of the product as well as using the product with power supply voltage other than shown on the product, or any other power supply source / adaptor not recommended by the manufacturer.

This warranty does not cover damages caused by fire, earthquakes, floods, lightning and every cause not directly related to the unit.

This warranty does not include any indemnity in favor of the purchaser or the dealer for the period out of use of the unit; moreover the warranty does not cover any damages which may be caused to people and things when using the product.

This warranty certificate is valid only for the described product, and is not valid if modifications are made on this certificate or on the identification label applied on the product.

This warranty covers all the material and manufacturing defects and is valid for a period of 36 months from the date of purchase or for a specified period in countries where this is stated by a national law. In this case, the extension is valid only in the country where the product is purchased.

Amperes Electronics Sdn Bhd is not obliged to modify previously manufactured products under warranty if the design changes or improvements are made.

Disclaimer

Information contained in this manual is subject to change without prior notice and does not represent a commitment on the part of the vendor. AMPERES ELECTRONICS SDN BHD shall not be liable for any loss or damages whatsoever arising from the use of information or any error contained in this manual.

It is recommended that all services and repairs on this product be carried out by AMPERES ELECTRONICS SDN BHD or its authorized service agents.

AMPERES series must only be used for the purpose they were intended by the manufacturer and in conjunction with this operating manual.

AMPERES ELECTRONICS SDN BHD cannot accept any liability whatsoever for any loss or damages caused by service, maintenance or repair by unauthorized personnel, or by use other than that intended by the manufacturer.



ISO 9001: 2015
Design & Manufacture of Public Address Equipment and Systems
Certificate No. 16895 / A / 0001 / UK / En



AMPERES ELECTRONICS SDN BHD
MADE IN MALAYSIA
Published : MARCH 2021